

SOUTHWESTSOLUTIONSGROUP

We Make People & Space Work Better Together

Jazz
FANS

*Sleek Design,
Like No Other*

SouthwestSolutions.com | 800-803-1083 | info@southwestsolutions.com

Jazz FANS

Not just a ceiling fan, the Jazz Fan is the formation of numerous unique and custom components. Standing alone each element is the result of years of design, founded on a decade of experience.

STANDARD COLOUR FINISHES

The sleek, ultra-modern design allows for a magnitude of customizable finishes from vibrant red to brilliant chrome & every imaginable colour in between.



Radiance



Cobalt



Alabaster



Sterling



Slate



Onyx

SPECIFICATIONS

- Maximum 7 to 10 ft (2 to 3 m) in diameter
- Gearless smart voltage motor
- Variable speed 0-120 RPM
- 45,000 CFM of air movement
- Upwards of 5 MPH breeze
- Crazy efficient - max 264 W
- Integrated dimmable LED light - 1980 Lumens
- On-board controls
- 85 lbs (38.5 kgs) assembled weight
- UL, CSA & CE certified
- Compact single box packaging
- Quieter than ambient noise



Jazz FANS

Elegant & Efficient

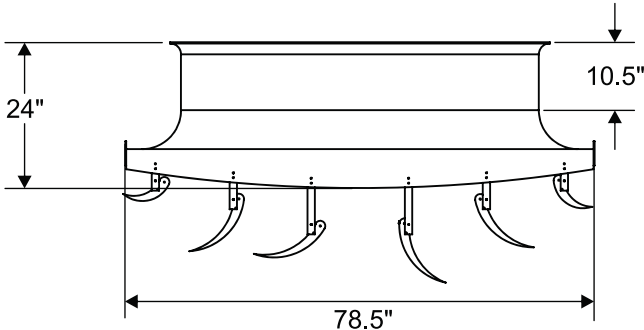
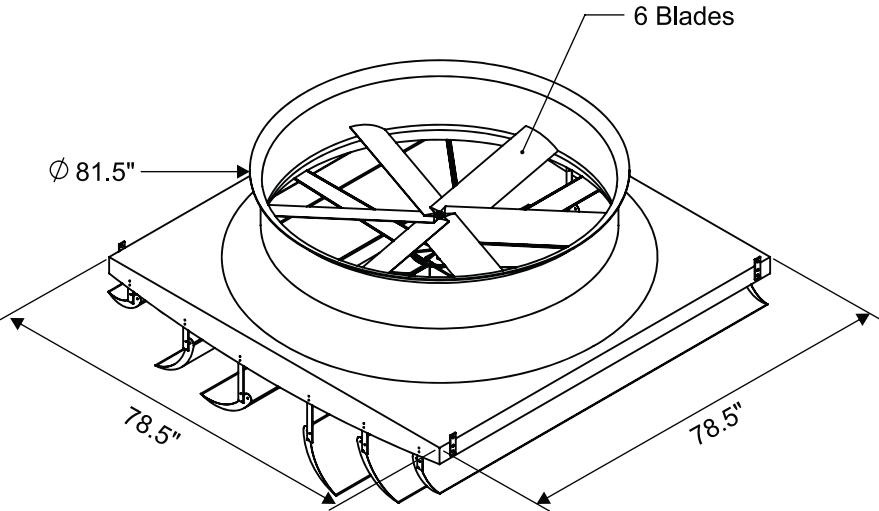
From showrooms to restaurants and atriums to office spaces, the Jazz Fan's creative touch of ambiance enhances the comforts and aesthetics of each space.



7ft Directional Fan



Fan Measurements



7ft Directional Fan

GENERAL

Size	72"
Blade	Precision Balanced Heavy Duty Corrosion Resistant Aluminum
Number of Blades	6
Motor Power	3 HP / 2.2 kW on High & 0.3 kW on Low
Weight	375 lbs

PERFORMANCE (AT MAX SPEED)

Airflow	80,000 CFM
Fan Speed	322 RPM
Air Velocity	1200 FPM Under Fan
Maximum Cooling Area	5,250 ft ²
Drive	Belt Driven
Watts Used	2200 W
Voltage	230 / 460 V
Motor Phase	3 Ph
Amperage	8.2 / 4.1 A

MOUNTING OPTIONS

.....	Steel Post
.....	Building Column
.....	Suspended From Ceiling

WARRANTY

Motor	3 Years
-------------	---------

FEATURES

.....	Heavy Galvanized Motor Mount
.....	Corrosive Resistant Fibreglass Housing
.....	Heavy Duty Bearing & Pulley System
.....	Maintenance Free Motor
.....	Quick Change Belt
.....	Directional Air Flow Deflectors
.....	Ideal For "High Rack Aisles"
.....	Can Create An Air Curtain Effect Over Large Doors

CONTROL OPTIONS (Not Included) Variable Frequency Drive

*These specifications are a guideline only and are subject to change without notice.

